

# Alpine Lean-To



The Alpine Lean-to is a three-sided shelter with options to keep you out of the elements. While it's unlikely that you will stumble upon one of these on a hike through the woods, you will be happy to find yourself beneath one of these on your next urban adventure.

- all aluminum frame construction
- powder coated finish
- optional cantilevered bench
- wood slats: thermally modified ash or kebono clear
- aluminum slats: powder coated or designer aluminum
- available with tempered glass, hammerglass® polycarbonate, or metal roof panels
- tempered glass and hammerglass® panels can have a frosted or clear finish
- surface mounted or embedded
- some assembly required

PRODUCT:	LENGTH:	WIDTH:	HEIGHT:
AC-LEANTO-130	130"	72"	102"
AC-LEANTO-195	195"	72"	102"
AC-LEANTO-260	260"	72"	102"



**PRODUCT SPECIFICATIONS**

ALL ALUMINUM FRAME CONSTRUCTION

POWDER COAT COLOR: \_\_\_\_\_

QTY OF CANTILEVERED BENCHES: \_\_\_\_\_

CANTILEVERED BENCH SLAT TYPE:

- THERMORY ASH
- KEBONY CLEAR
- POWDER COATED ALUMINUM

COLOR: \_\_\_\_\_

- DESIGNER ALUMINUM (DARK WALNUT)
- DESIGNER ALUMINUM (DARK CHERRY)
- OTHER

ROOF PANEL:

- TEMPERED GLASS
- HAMMERGLASS
- ALUMINUM

TEMPERED GLASS OR HAMMERGLASS FINISH:

- FROSTED
- CLEAR

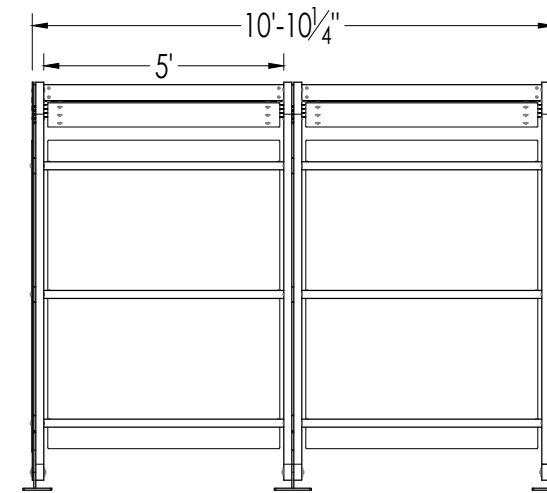
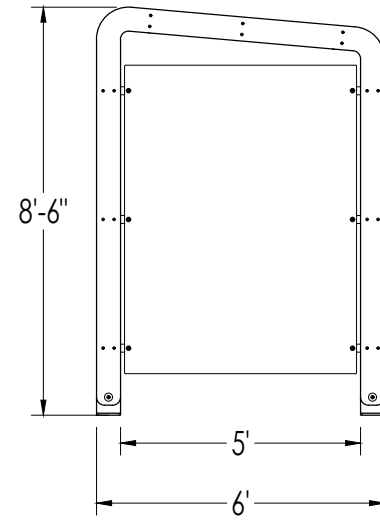
MOUNTING TYPE:

- SURFACE MOUNTED
- EMBEDDED

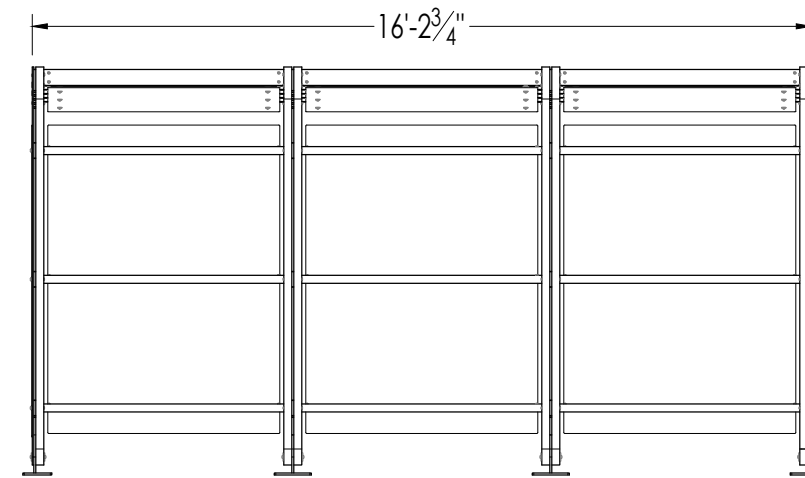
SOME ASSEMBLY REQUIRED

MOUNTING HARDWARE NOT INCLUDED

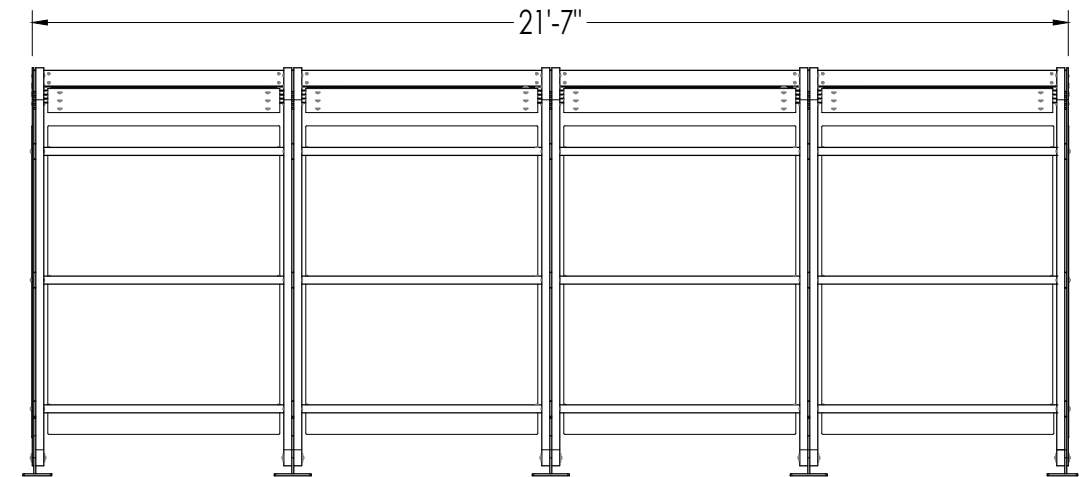
SEE INSTALLATION SHEET FOR ADDITIONAL INFORMATION



AC-LEANTO-130



AC-LEANTO-195



AC-LEANTO-260

*site pieces*

ALL DIMENSIONS ARE NOMINAL  
ANY AND ALL INFORMATION ON THIS DRAWING  
MAY BE PROPRIETARY TO SITE PIECES, LLC  
AND MAY NOT BE COPIED OR ALTERED WITHOUT  
PERMISSION FROM SITE PIECES, LLC.  
3575 RINGSBY COURT #418 DENVER, CO 80214

PRODUCT: ALPINE LEAN-TO  
PRODUCT #: AC-LEANTO-130, AC-LEANTO-195, AC-LEANTO-260

SIZE: 130"/195"/260" X 72" X 102"  
APPROXIMATE WEIGHT: N/A  
SCALE: 1/4"=1'0"

CREATION DATE: 2022-02-24  
UPDATED: 3/15/2024

SHEET: 1/1

