

Alpine 46er Tall



The Alpine Tall 46er Chair pays tribute to the forty-six High Peaks that make up the Adirondacks. Inspired by the iconic chair that shares its name with the region, the Tall 46er Chair is elevated to sit higher than the original chair making it a delight to relax in and a breeze to jump off to grab another round. This combination of design and style make the Tall 46er look, and feel, just right.

- wood slats: thermally modified ash or kebono clear
- aluminum slats: powder coated or designer aluminum
- all aluminum frame construction
- powder coated finish
- chairs can be surface mounted or freestanding
- low friction glides raise chairs from surface
- ships fully assembled

PRODUCT:	LENGTH:	WIDTH:	HEIGHT:
AC-46ER-TALL	31"	27.5"	34.3"



PRODUCT SPECIFICATIONS

ALL ALUMINUM FRAME CONSTRUCTION

POWDER COAT COLOR: _____

SLAT TYPE:

THERMORY ASH

KEBONY CLEAR

MOUNTING TYPE:

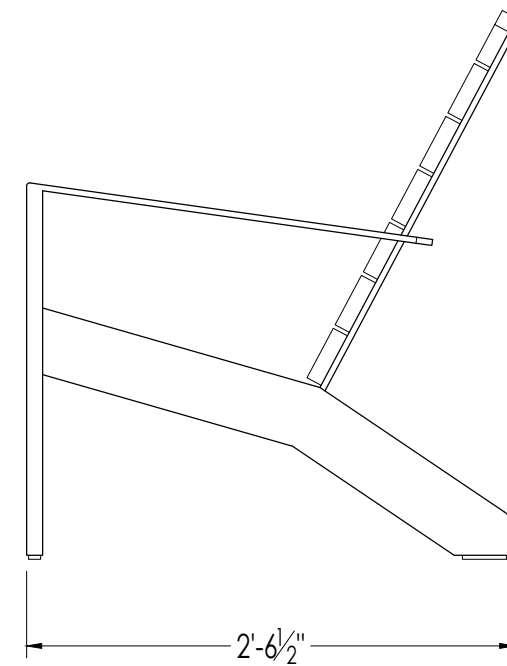
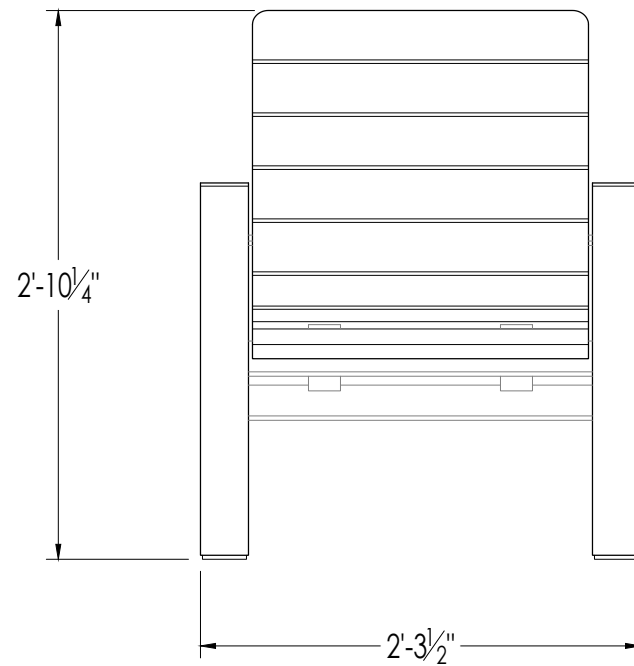
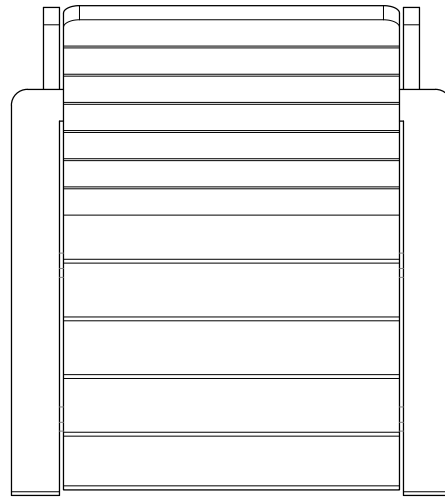
FREESTANDING

SURFACE MOUNTED

PRODUCT SHIPS FULLY ASSEMBLED

MOUNTING HARDWARE NOT INCLUDED

SEE INSTALLATION SHEET FOR ADDITIONAL INFORMATION



site pieces

ALL DIMENSIONS ARE NOMINAL
ANY AND ALL INFORMATION ON THIS DRAWING
MAY BE PROPRIETARY TO SITE PIECES, LLC
AND MAY NOT BE COPIED OR ALTERED WITHOUT
PERMISSION FROM SITE PIECES, LLC.
3575 RINGSBY COURT #418 DENVER, CO 80214

PRODUCT: ALPINE 46ER TALL
PRODUCT #: AC-46ER-TALL

SIZE: 28" X 34" X 31"
APPROXIMATE WEIGHT: 55 LBS
SCALE: 1"=1'0"

CREATION DATE: 2022-02-24
UPDATED: 9/5/2024

SHEET: 1/1

