

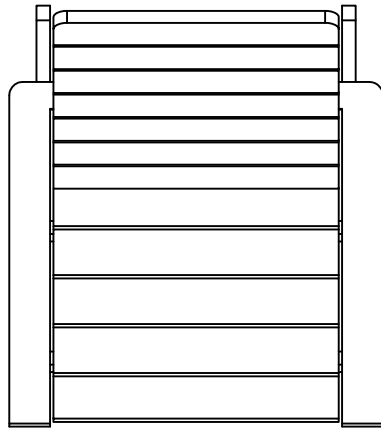
ALPINE 46er CHAIR

The Alpine 46er Chair pays tribute to the forty six High Peaks that make up the Adirondacks. Inspired by the iconic chair that shares its name with the region, the 46er Chair sits low to the ground and boasts wide armrests that are paired with comfortable angles. This combination of design and style make the 46er look, and feel, just right.

- thermally modified wood or aluminum slats
- all aluminum frame construction
- powder coated finish
- chairs can be surface mounted or freestanding
- low friction glides raise chairs from surface
- ships fully assembled

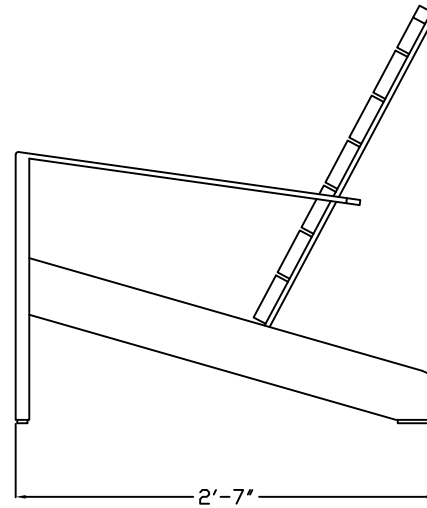
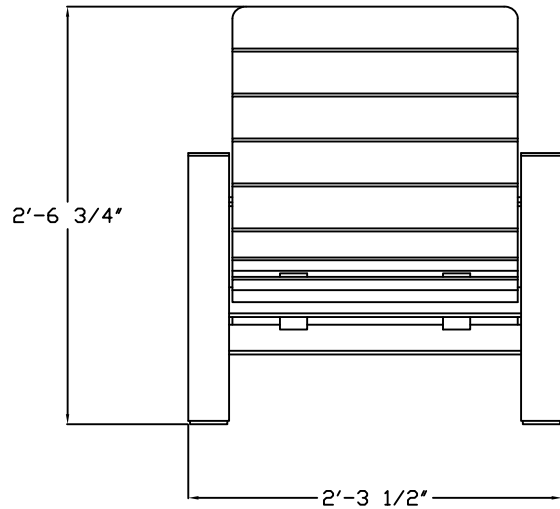
product:	length:	width:	height:
AC-46ER-CHR	31"	27.50"	33.75"





NOTES:

- FRAME: ALL ALUMINUM CONSTRUCTION
- THERMORY (N. WHITE ASH) OR ALUMINUM SLATS
- FREESTANDING OR SURFACE MOUNT
- SITE PIECES RECOMMENDS STAINLESS STEEL DROP-IN ANCHORS W/ FLAT HEAD FOR SURFACE MOUNT APPLICATIONS
- SHIPS FULLY ASSEMBLED



GENERAL NOTES: NOT DRAWN TO SCALE *- CRITICAL DIMENSIONS

ALL DIMENSIONS ARE NOMINAL. ANY AND ALL INFORMATION ON THIS DRAWING IS PROPRIETARY AND BELONGS TO SITE PIECES, LLC. THIS DRAWING MAY NOT BE ALTERED WITHOUT PERMISSION FROM SITE PIECES, LLC. 3000 LAWRENCE ST. #57 DENVER, CO 80205

PRODUCT: AC-46ER-CHR
DESCRIPTION: ALPINE 46ER CHAIR

FINISHES: SEE PRODUCT MATERIAL SHEETS
SCALE: NTS

site pieces

SITE PIECES
3000 LAWRENCE STREET #57
DENVER, CO 80205

800.484.0797
www.sitepieces.com
hello@sitepieces.com